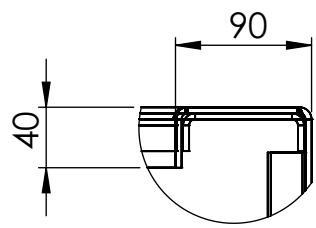
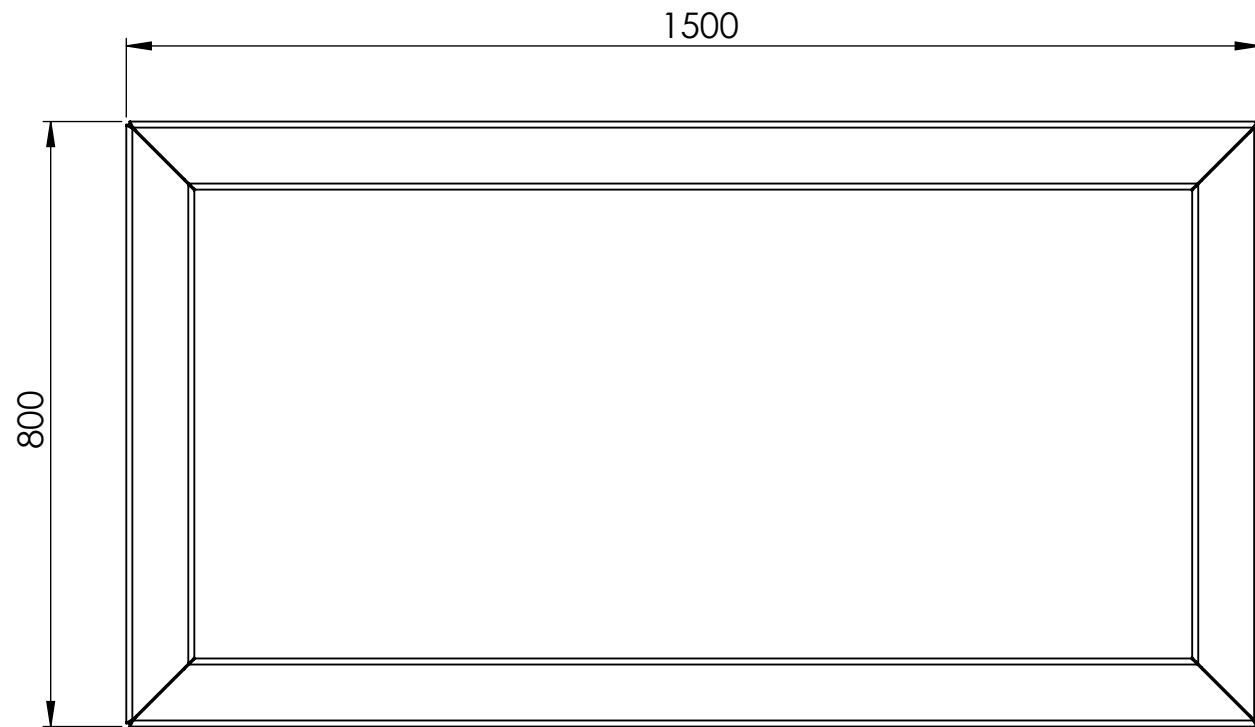


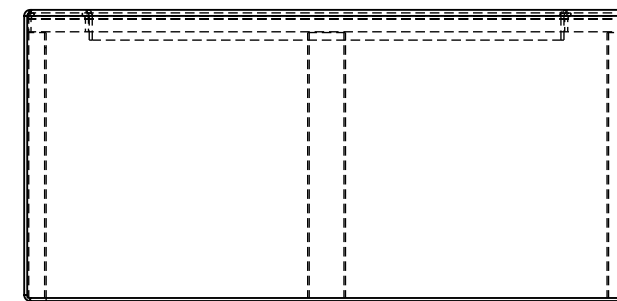
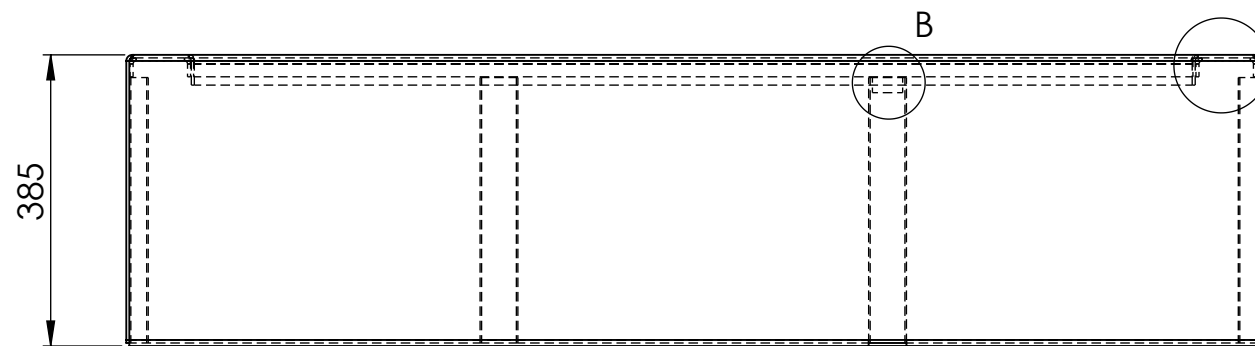
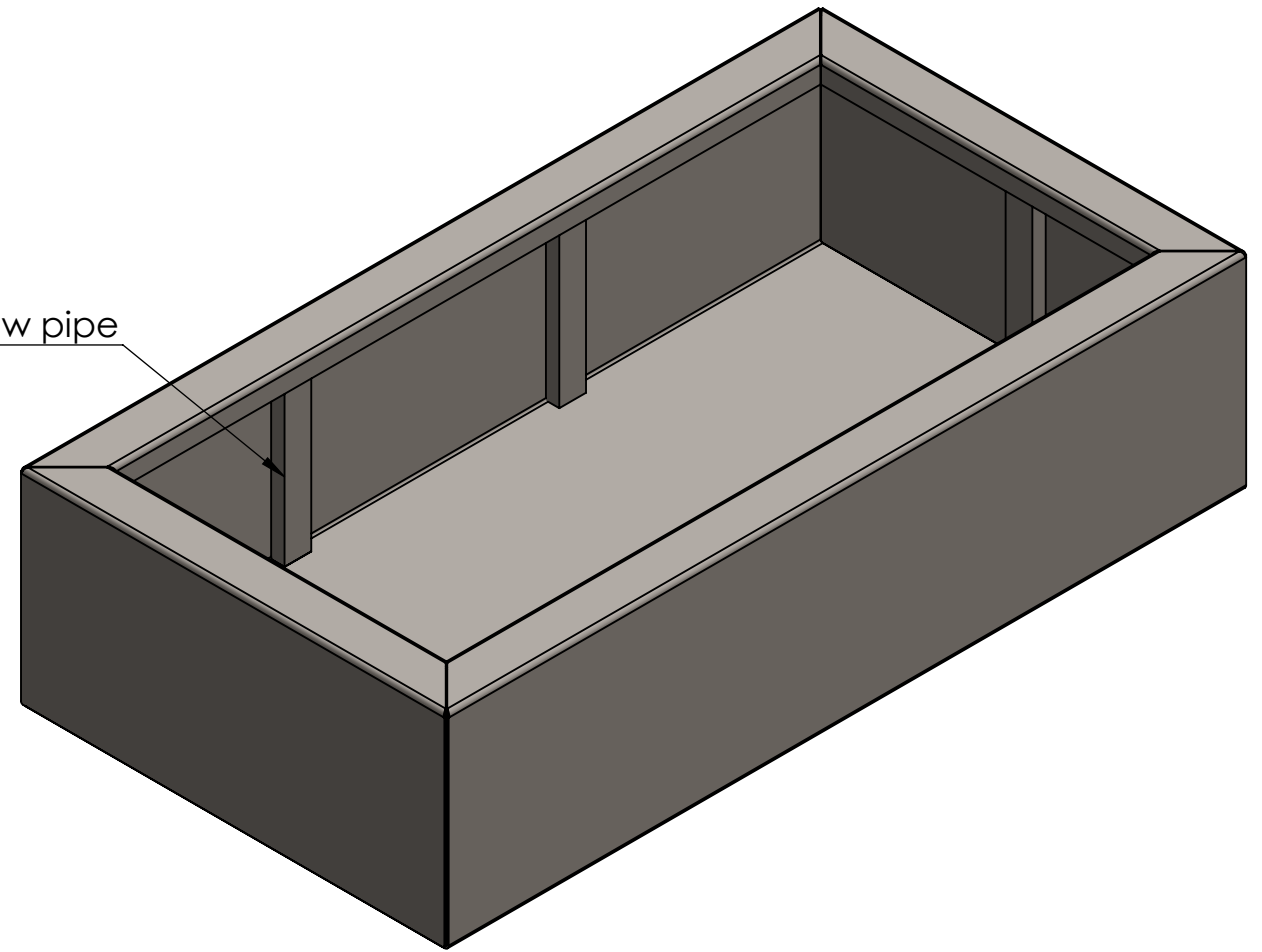
DETAIL B
SCALE 1 : 5
Overflow



DETAIL A
SCALE 1 : 5



Overflow pipe



DRAWN	Luuk van den Heuvel	DATE	23-5-2023		TITLE:	Aluminum 4mm	
REVISION					Drawing:	VA10.1	A3
				Liessentstraat 4, 5405 AG Uden (NL). † 0031 (0)413 - 27 41 68. e info@adezz.com, i www.adezz.com		Color:	-
				Mass (kg):	43.71	SCALE:1:10	SHEET 1 OF 10